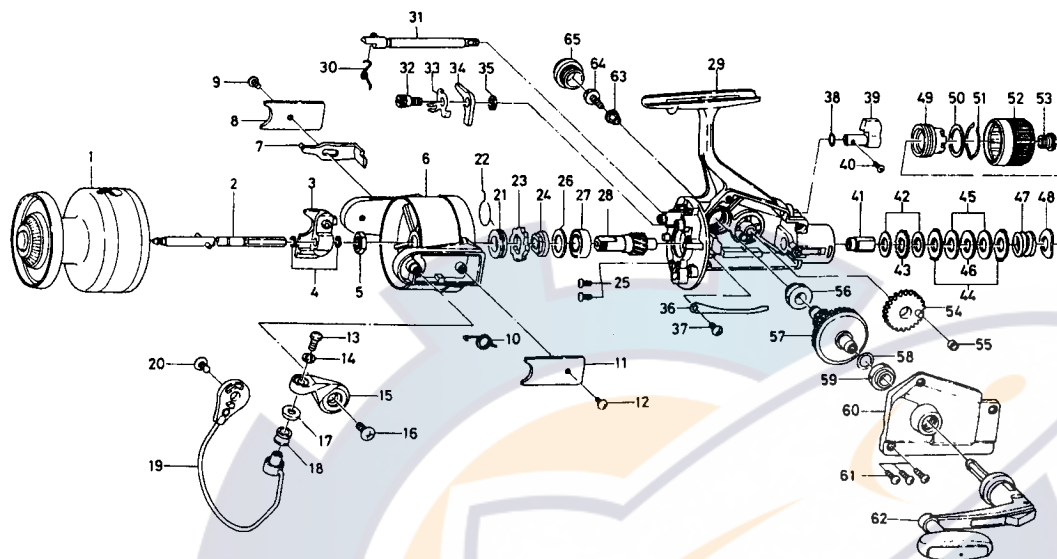


# SPINNING REEL WG4050



Key No.	Parts No.	Parts Name	Key No.	Parts No.	Parts Name
1	E09-9101	Spool assembly	34	111-9201	Anti-reverse pawl
2	B78-2701	Main shaft	35	375-3002	Anti-reverse pawl washer
3	B78-3001	Oscillating slider	36	B78-1001	Click claw
4	B78-3101	Oscillating slider retainer	37	E12-7601	Click claw screw
5	B10-5701	Rotor nut	38	375-5201	Anti-reverse lever washer
6	B86-5603	Rotor	39	B77-4301	Anti-reverse lever
7	B90-2001	Bail trip lever	40	B34-2101	Anti-reverse lever screw
8	B63-0902	Bail trip cover	41	E07-2101	Drag washer holder
9	B01-7102	Bail trip cover screw	42	B46-9503	Drag washer A
10	B93-5601	Bail spring	43	B78-1401	Click gear
11	634-6802	Bail spring cover	44	B89-9501	Eared washer
12	B01-7102	Bail spring cover screw	45	375-0402	Drag washer B
13	B11-2803	Line roller screw	46	E02-4401	Key washer
14	B11-2701	Lock washer	47	E07-1001	Drag coil spring
15	B80-3501	Bail arm	48	E10-1901	Drag washer D
16	B66-5801	Bail arm screw	49	B78-1504	Drag screw
17	501-2001	Line roller washer	50	B78-1602	Drag washer C
18	250-4502	Line roller	51	B78-1701	Drag washer spring
19	E07-2202	Bail	52	B78-1804	Drag knob
20	B84-2101	Bail trip cam screw	53	B77-5801	Drag knob screw
21	B13-5701	Spring holder	54	B79-0501	Oscillating gear
22	B76-2701	Anti-reverse pawl spring	55	B78-9801	Oscillating gear collar
23	B34-2201	Anti-reverse ratchet	56	501-6102	Bushing
24	B78-6701	Pinion spacer	57	B78-9501	Drive gear
25	B84-2102	Bearing retainer screw	58	371-2800	Drive gear washer
26	B47-9201	Ball bearing retaining washer	59	501-6102	Bushing
27	B54-6001	Ball bearing	60	E09-8901	Side cover
28	B78-9401	Pinion gear	61	B83-5001	Side cover screw
29	E07-1902	Body	62	E09-9001	Handle assembly
30	144-0321	Anti-reverse cam spring	63	501-8401	Handle collar
31	461-5021	Anti-reverse cam	64	363-8611	Handle screw
32	B46-9601	Anti-reverse pawl screw	65	363-4703	Handle screw cap
33	B66-5401	Anti-reverse pawl plate			